

CASING COLLAR LOCATOR SPECIFICATIONS

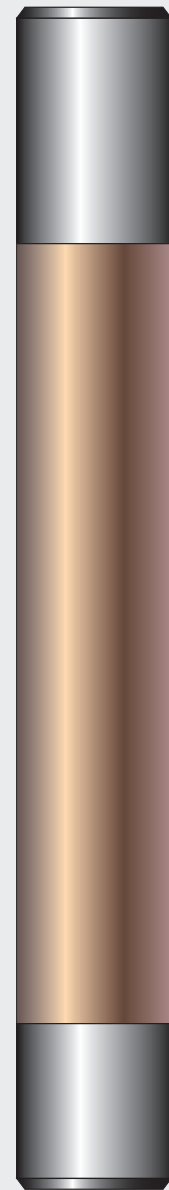


CASING COLLAR LOCATORS

CASING COLLAR LOCATORS

AES CCLs are used for depth control with pipe recovery, perforating and logging equipment.

Parameters	Imperial	Metric
OD Size:	5/8" – 3-1/4"	15.9 mm - 82.6 mm
Weight:	—	—
Temperature:	500°F	260°C
Pressure:	21,000psi	144 MPa
Type:	Grounded and Non-Grounded	



APPLIED
ELECTRONIC
SYSTEMS

a **Sondex** company

www.aesla.com

CCL0-1

CASING COLLAR LOCATOR PRODUCT RANGES

Part No. Description (G) Grounded, (NG) Non-Grounded Page

5/8" - 11/16"

AS0-0005	5/8" Casing Collar Locator Assy (NG)	CCL0-3
AS1-0001	11/16" Casing Collar Locator Assy (NG)	CCL0-3

NOTE: Thread size on this size range is 1/2" - 20 UNF

3/4"

AS2-0007	3/4" Casing Collar Locator Assy (G)	CCL0-4
----------	-------------------------------------	--------

NOTE: Thread size on this size range is .555-28 STUB ACME-3G

1"

AS3-0008	1" Casing Collar Locator Assy (NG)	CCL0-5
AS3-0014	1" Casing Collar Locator Assy (G)	CCL0-6

NOTE: Thread size on this size range is 13/16" - 16 UN

1 3/8", 1 7/16", 1 5/8"

AS4-0091	1 3/8" Casing Collar Locator Assy (G)	CCL0-7
AS5-0008	1 7/16" Casing Collar Locator Assy (G)	CCL0-7
AS6-0102	1 5/8" Casing Collar Locator Assy (G)	CCL0-8
AS4-0092	1 3/8" Casing Collar Locator Assy (NG)	CCL0-8
AS5-0006	1 7/16" Casing Collar Locator Assy (NG)	CCL0-8
AS6-0103	1 5/8" Casing Collar Locator Assy (NG)	CCL0-7

NOTE: Thread size on this size range is 1 3/16" - 12 UN

1 11/16"

AS6-0005	1 11/16" Casing Collar Locator Assy (G)	CCL0-9
----------	---	--------

NOTE: Thread size on this size range is 1 3/16" - 12 UN

2 1/8"

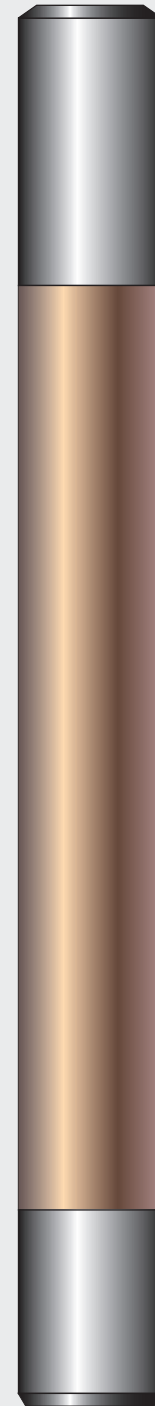
AS9-0048	2 1/8" Casing Collar Locator Assy (G)	CCL0-10
----------	---------------------------------------	---------

NOTE: Thread size on this size range is 1 3/16" - 12 UN

3 1/8" - 3 1/4"

AS9-0021	3 1/4" Casing Collar Locator Assy (G)	CCL0-11
AS9-0021-3 1/8	3 1/8" Casing Collar Locator Assy (G)	CCL0-11

NOTE: Thread size on this size range is 1 5/8" - 6 ACME



APPLIED
ELECTRONIC
SYSTEMS

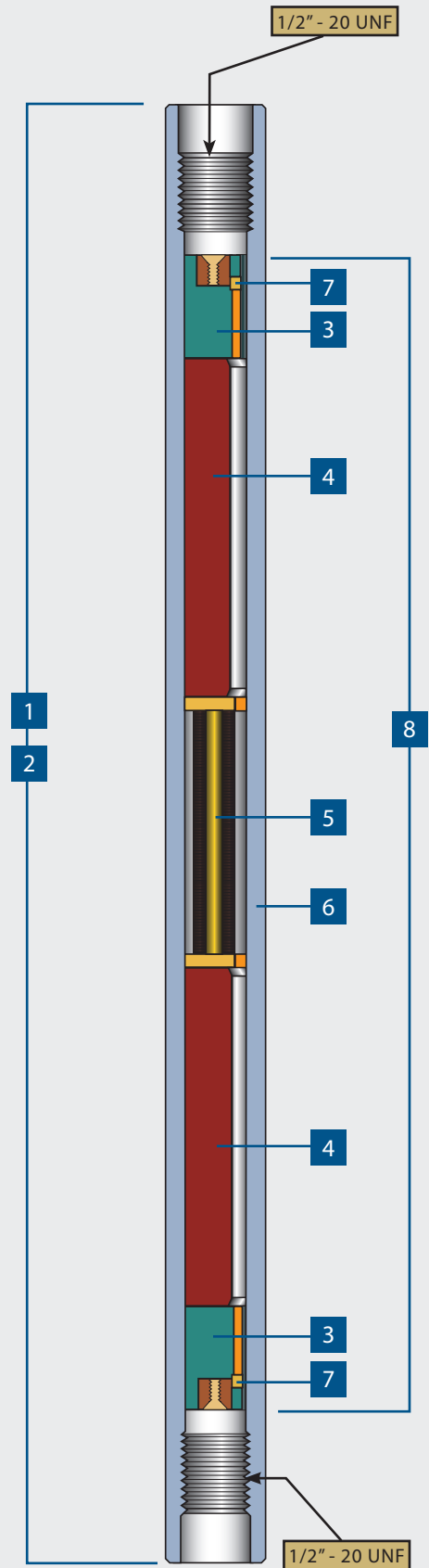
a Sondex company

www.aesla.com

CASING COLLAR LOCATOR COMPONENTS

5/8"-11/16" Casing Collar Locator

Ref.	Part No.	Description	(G) Grounded, (NG) Non-Grounded
1	AS0-0005	5/8" Casing Collar Locator Complete Assy (NG)	
2	AS1-0001	11/16" Casing Collar Locator Complete Assy (NG)	
3	0.625-0014	CCL Insulator	
4	0.625-0004	CCL Magnet	
5	PSA-036	5/8" Coil Assy (NG)	
6	0.625-0001	5/8" CCL Housing	
	0.687-0043	11/16" CCL Housing	
7	0.625-0015	CCL End Contact	
8	AS0-0005-1	5/8" Coil and Magnet Assy (NG)	



APPLIED
ELECTRONIC
SYSTEMS

a **Sondex** company

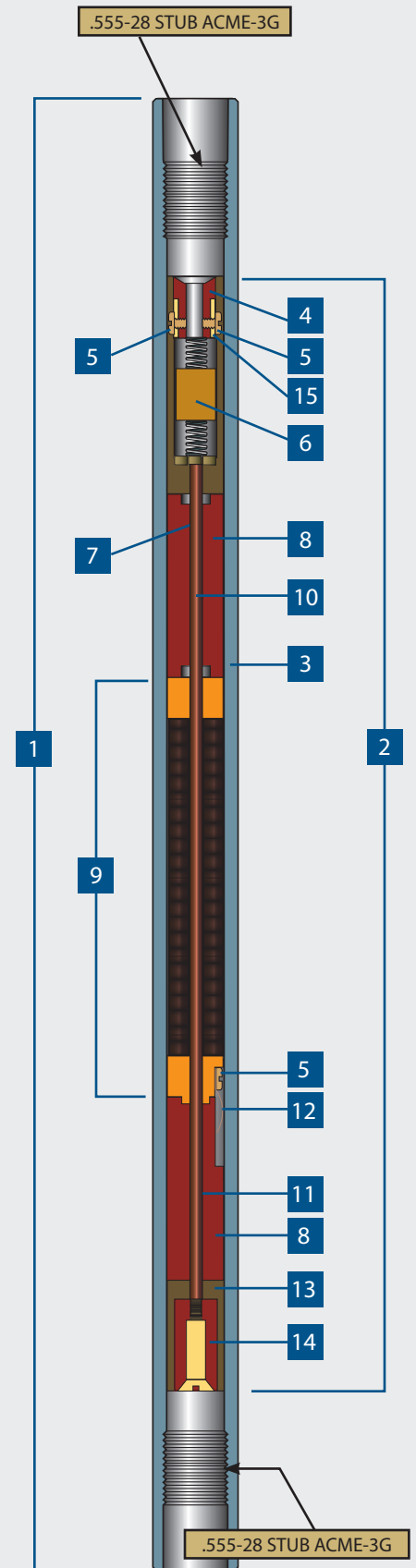
www.aesla.com

CCL0-3

CASING COLLAR LOCATOR COMPONENTS

3/4" Casing Collar Locator

Ref.	Part No.	Description	(G) Grounded, (NG) Non-Grounded
1	AS2-0007	3/4" Collar Locator Assy (G)	
2	AS2-0007-1	3/4" CCL Coil/Magnet Assy (G)	
3	0.750-0001	3/4" CCL Housing	
4	0.750-0097	3/4" CCL Top Contact	
5	HOO-0197	4-40 Flat Head Screw	
6	SEM-0069-1	Double Diode	
7	0.750-0035	Top CCL Insulator	
8	0.750-0004	CCL Magnet	
9	PSA-039	CCL Coil Assy (G)	
10	0.750-0098	Contact Thru Rod	
11	BOO-0101	Insulating Sleeve	
12	HOO-0126	Ground Spring	
13	0.750-0094	Bottom CCL Insulator	
14	0.750-0096	Bottom CCL Contact Receptacle	
15	HOO-0038	Solder Lug	



APPLIED
ELECTRONIC
SYSTEMS

a **Sondex** company

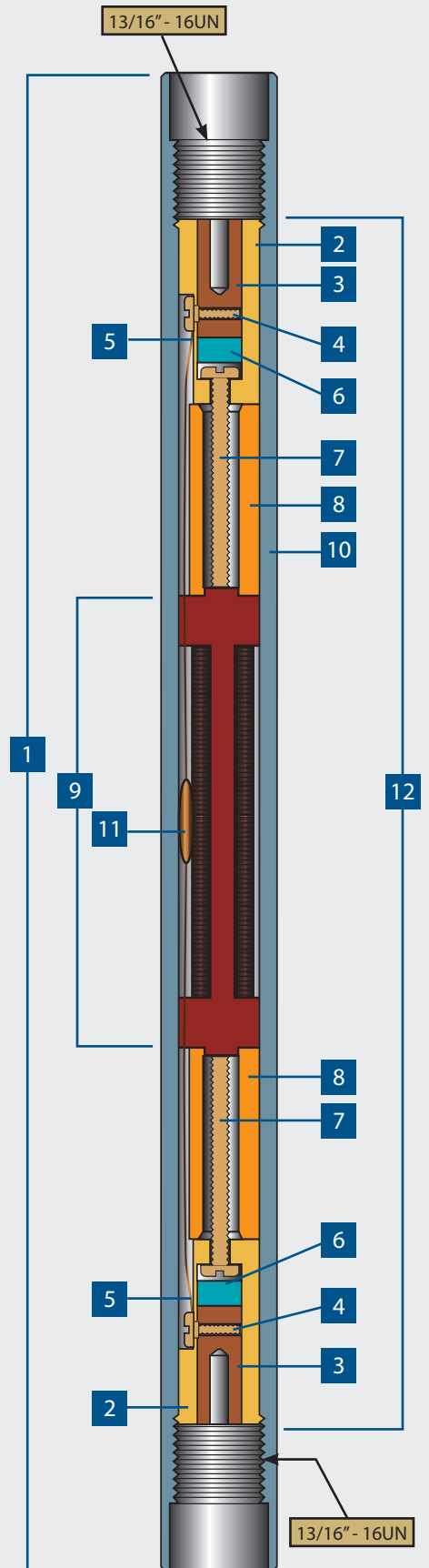
www.aesla.com

CCL0-4

CASING COLLAR LOCATOR COMPONENTS

1" Casing Collar Locator (NG)

Ref.	Part No.	Description	(G) Grounded, (NG) Non-Grounded
1	AS3-0008	1" Casing Collar Locator Complete Assy (NG)	
2	1.-0055	End Insulator	
3	1.-0054	End Contact Receptacle	
4	HOO-0094	6-32 x 3/16" Pan Hd. Screw	
5	HOO-0038	Solder Lug	
6	1.-0058	CCL Contact Insulator	
7	HOO-0095	10-32 x 2" Pan Hd. Screw	
8	1.-0056	1" CCL Magnet	
9	PSA-040	Coil Assy (NG)	
10	1.-0059	1" CCL Housing	
11	SEM-0014	Diode	
12	AS3-0008-1	1" CCL Coil and Magnet Assy (NG)	



APPLIED
ELECTRONIC
SYSTEMS

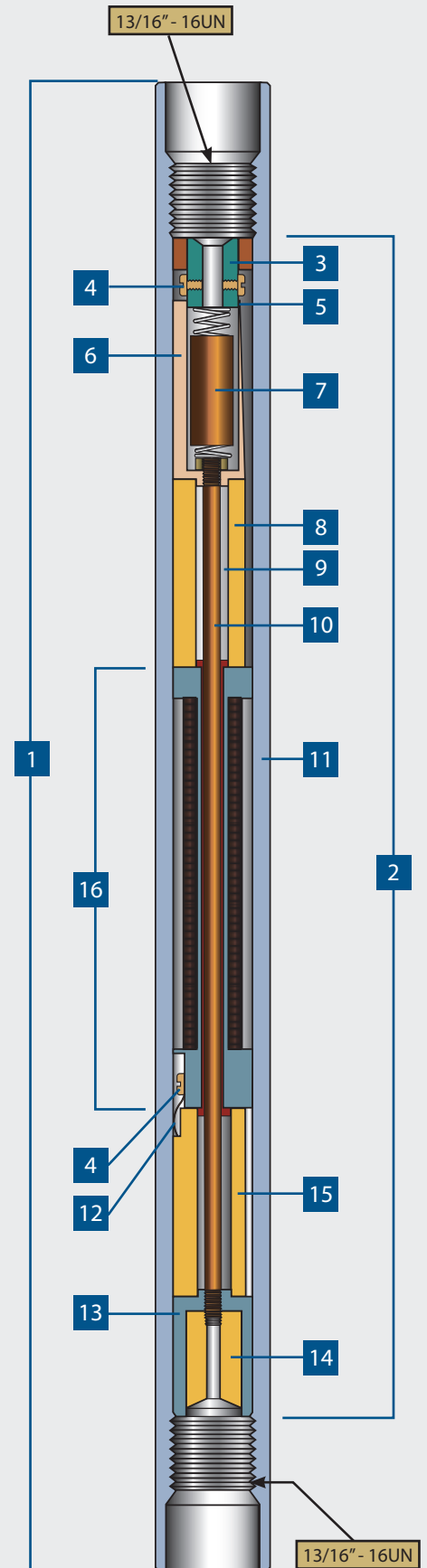
a **Sondex** company
www.aesla.com

CCL0-5

CASING COLLAR LOCATOR COMPONENTS

1" Casing Collar Locator (G)

Ref.	Part No.	Description	(G) Grounded, (NG) Non-Grounded
1	AS3-0014	1" Casing Collar Locator Complete Assy (G)	
2	AS3-0014-1	Coil/Magnet Assy (G)	
3	1.-0172	Upper Contact Receptacle	
4	HOO-0004	4-40 x 1/8" Pan Hd. Screw	
5	HOO-0038	Solder Lug	
6	1.-0074	End Insulator	
7	SEM-0069	Double Diode	
8	1.-0056	1" CCL Magnet	
9	BOO-0096	Insulating Sleeve	
10	1.-0104	6-32 Contact Rod	
11	1.-0059	1" CCL Housing	
12	HOO-0126	Ground Spring	
13	1.-0073	1" CCL Insulator	
14	1.-0231	CCL Lower Contact	
15	1.-0056G	CCL Ground Magnet	
16	PSA-041	CCL Coil Assy (G)	



APPLIED
ELECTRONIC
SYSTEMS

a **Sondex** company

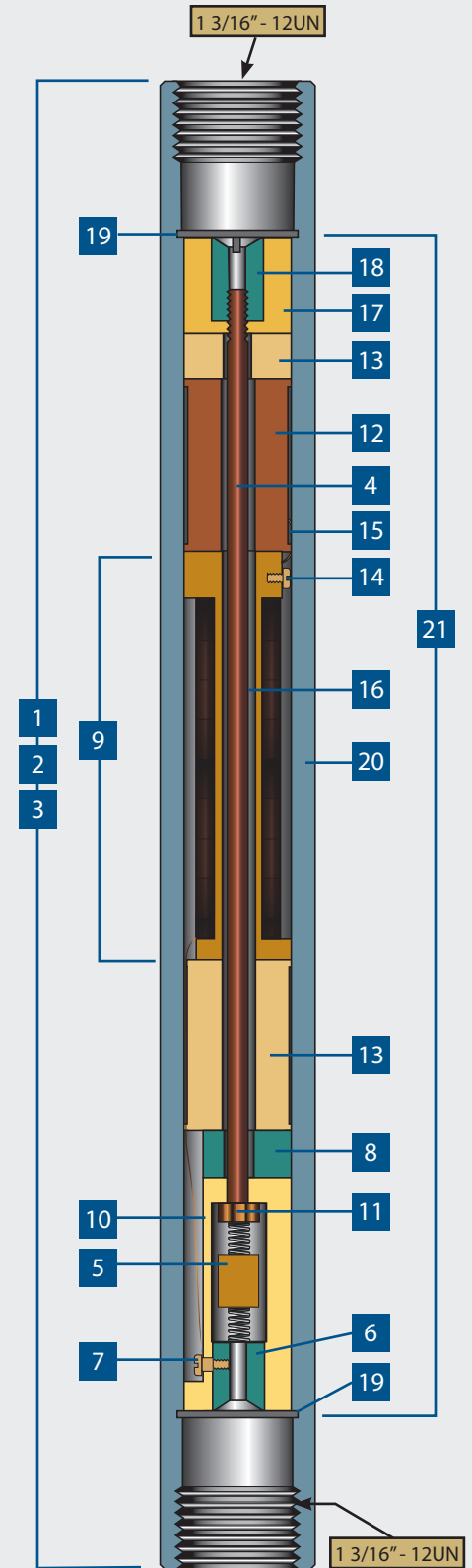
www.aesla.com

CCL0-6

CASING COLLAR LOCATOR COMPONENTS

1 3/8", 1 7/16", 1 5/8" Casing Collar Locator (G)

Ref.	Part No.	Description	(G) Grounded, (NG) Non-Grounded
1	AS4-0091	1 3/8" Casing Collar Locator Complete Assy (G)	
2	AS5-0008	1 7/16" Casing Collar Locator Complete Assy (G)	
3	AS6-0103	1 5/8" Casing Collar Locator Complete Assy (G)	
4	1.-437-0057	10-32 Contact Rod	
5	SEM-0069	Double Diode	
6	1.-375-0041	CCL Upper Contact	
7	H00-0027	6-32 x 1/4" Pan Hd. Screw	
8	1.437-0031	Magnet Retainer	
9	PSA-043	Grounded Coil	
10	1.437-0028	Retainer Insulator	
11	H00-0058	Hex Nut	
12	1.375-0073	CCL Magnet	
13	1.437-0030	Magnet Retainer	
14	H00-0004	4-40 x 3/16" Pan Hd. Screw	
15	H00-0126	Ground Spring	
16	B00-0032	Insulating Sleeve	
17	1.437-0029	Lower CCL Insulator	
18	1.437-0026	Lower CCL Contact	
19	H00-0250	Retainer Ring	
20	1.375-0481	1 3/8" CCL Housing	
	1.437-0010	1 7/16" CCL Housing	
	3099	1 5/8" CCL Housing	
21	AS5-0008-1	CCL Coil & Magnet Assy (G)	



APPLIED
ELECTRONIC
SYSTEMS

a **Sondex** company

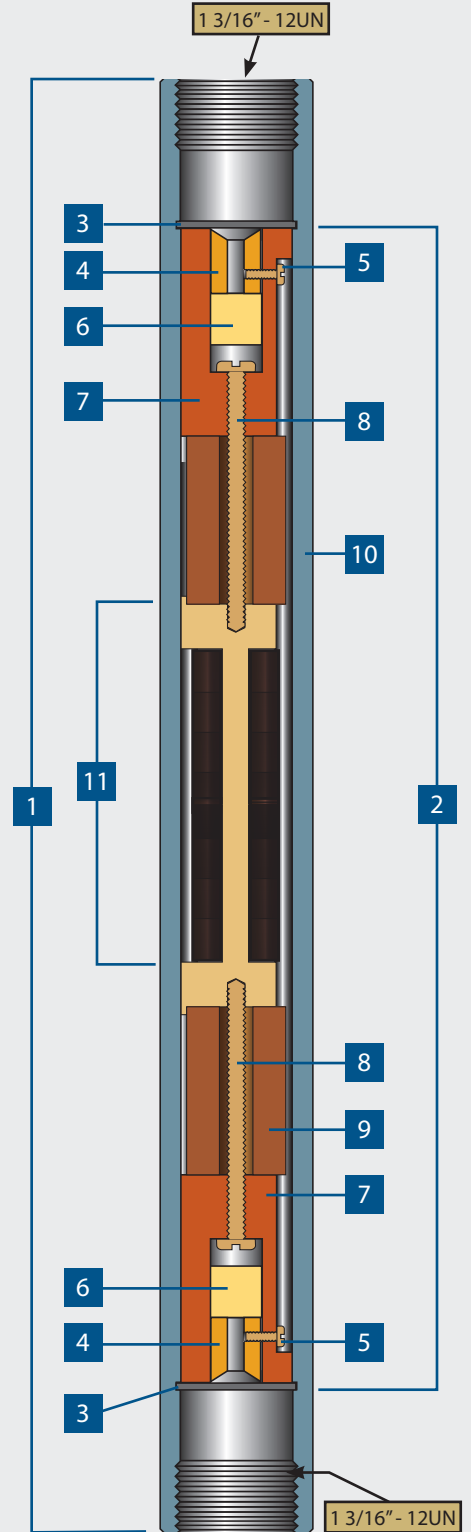
www.aesla.com

CCL0-7

CASING COLLAR LOCATOR COMPONENTS

1 3/8", 1 7/16", 1 5/8" Casing Collar Locator (NG)

Ref.	Part No.	Description	(G) Grounded, (NG) Non-Grounded
1	AS4-0092	1 3/8" Collar Locator Complete Assy (NG)	
	AS5-0006	1 7/16" Collar Locator Complete Assy (NG)	
	AS6-0102	1 5/8" Collar Locator Complete Assy (NG)	
2	AS5-0006-1	CCL Coil & Magnet Assy (NG)	
3	HOO-0250	Retainer Ring	
4	1.375-0041	10-32 Contact Receptacle	
5	HOO-0027	6-32 x 1/4" Pan Hd. Screw	
6	1.375-0179	CCL Spacer	
7	1.375-0040	CCL Retainer Insulator	
8	HOO-0316	10-32 x 2 1/2" Pan Hd. Screw	
9	1.375-0073	CCL Magnet	
10	1.375-0481	1 3/8" CCL Housing	
	1.437-0010	1 7/16" CCL Housing	
	3099	1 5/8" CCL Housing	
11	PSA-044	CCL Coil Assy (NG)	



APPLIED
ELECTRONIC
SYSTEMS

a **Sondex** company

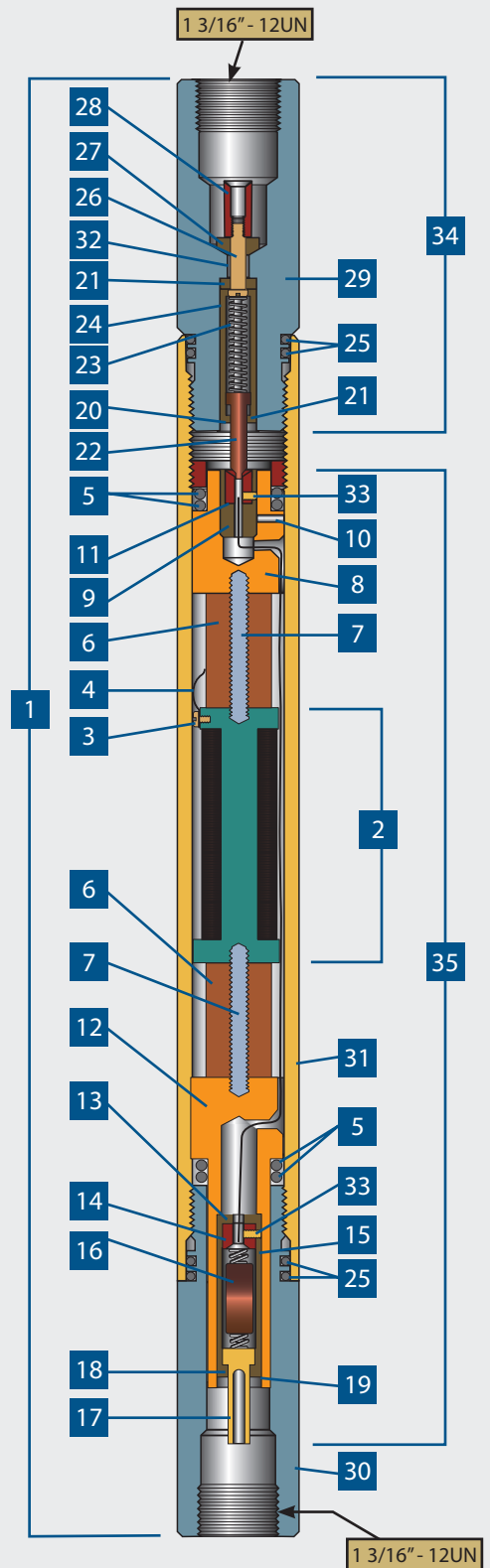
www.aesla.com

CCL0-8

CASING COLLAR LOCATOR COMPONENTS

1 11/16" Casing Collar Locator

Ref.	Part No.	Description	(G) Grounded, (NG) Non-Grounded
1	AS6-0005	1 11/16" Casing Collar Locator Complete Assy (G)	
2	PSA-045	1 11/16" Coil Assy (G)	
3	HOO-0004	4-48 x 1/8" Pan Hd. Screw	
4	HOO-0126	Ground Spring	
5	000-0316	O-Rings: 316	
6	1.375-0073	Collar Locator Magnet	
7	1.687-0031	CCL Connecting Rod	
8	1.687-0015	1 11/16" CCL Upper Pole Piece	
9	1.687-0016	CCL End Contact Insulator	
10	HOO-0083	6-32 x 5/16" Socket Set Screw	
11	1.687-0019	CCL Contact Receptacle	
12	1.687-0186	1 11/16" CCL Lower Pole Piece	
13	1.687-0187	Insulating Washer	
14	1.687-0188	CCL Contact Receptacle	
15	1.687-0189	Plunger Insulator	
16	SEM-0069	Double Diode	
17	1.687-0190	Brass Plunger	
18	1.687-0191	Plunger Washer	
19	HOO-0254	Retainer Ring	
20	HOO-0065	Retainer Ring	
21	1.-0041	Insulating Washer	
22	1.-0033	Contact Plunger	
23	1.-0037	Contact Spring	
24	1.-0042	Plunger Insulator	
25	000-0217	O-Rings: 217	
26	HOO-0139	10-32 x 1" Pan Hd. Screw	
27	1.-0086	Beveled Insulating Washer	
28	1.-0087A	Contact Receptacle	
29	1.687-0018	CCL Upper Adapter Sub	
30	1.687-0192	CCL Lower Adapter Sub	
31	1.687-0013	1 11/16" CCL Housing	
32	BOO-0032	Insulating Sleeve	
33	HOO-0141	6-32 x 1/8" Socket Set Screw	
34	AS6-0005-2	1 11/16" CCL Top Sub Assy.	
35	AS6-0005-1	1 11/16" CCL Coil & Magnet Assy (G)	



APPLIED
ELECTRONIC
SYSTEMS

a **Sondex** company

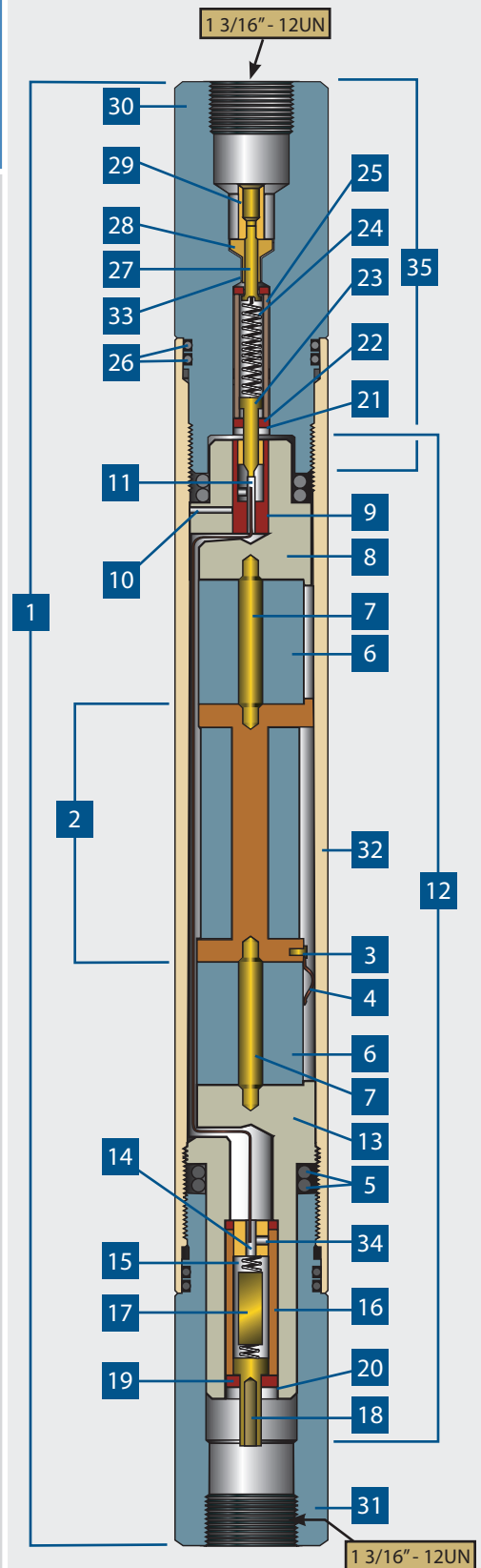
www.aesla.com

CCL0-9

CASING COLLAR LOCATOR COMPONENTS

2 1/8" Casing Collar Locator

Ref.	Part No.	Description	(G) Grounded, (NG) Non-Grounded
1	AS9-0048	2 1/8" CCL Complete Assy (G)	
2	PSA-065	2 1/8" Coil Assy (G)	
3	HOO-0004	4-40 x 1/4" Pan Hd. Screw	
4	HOO-0126	Ground Spring	
5	000-0320	O-Rings: 320	
6	2.0116	Collar Locator Magnet	
7	1.687-0031-2	CCL Connecting Rod	
8	2.0113	2 1/8" CCL Upper Pole Piece	
9	2.0115	CCL End Contact Insulator	
10	HOO-0083	6-32 x 5/16" Socket Set Screw	
11	1.687-0019	CCL Contact Receptacle	
12	AS9-0048-1	2 1/8" CCL Coil & Magnet Assy (G)	
13	2.0112	2 1/8" CCL Lower Pole Piece	
14	1.687-0187	Insulating Washer	
15	1.687-0088	CCL Contact Receptacle	
16	1.687-0089	Plunger Insulator	
17	SEM-0069	Double Diode	
18	1.687-0190	Brass Plunger	
19	1.687-0191	Plunger Washer	
20	HOO-0254	Retainer Ring	
21	HOO-0265	Retainer Ring	
22	1.-0041	Insulating Washer	
23	1.-0033	Contact Plunger	
24	1.-0037	Contact Spring	
25	1.-0042	Plunger Insulator	
26	000-0223	O-Rings: 223	
27	HOO-0139	10-32 x 1" Pan Hd. Screw	
28	1.-0086	Beveled Insulating Washer	
29	1.-0087A	Contact Receptacle	
30	2.0109	CCL Upper Adapter Sub	
31	2.0110	CCL Lower Adapter Sub	
32	2.0111	2 1/8" CCL Housing	
33	BOO-0032	Insulating Sleeve	
34	HOO-0141	6-32 x 1/8" Socket Set Screw	
35	AS9-0048-2	2 1/8" CCL Top Sub Assy (G)	



APPLIED
ELECTRONIC
SYSTEMS

a **Sondex** company

www.aesla.com

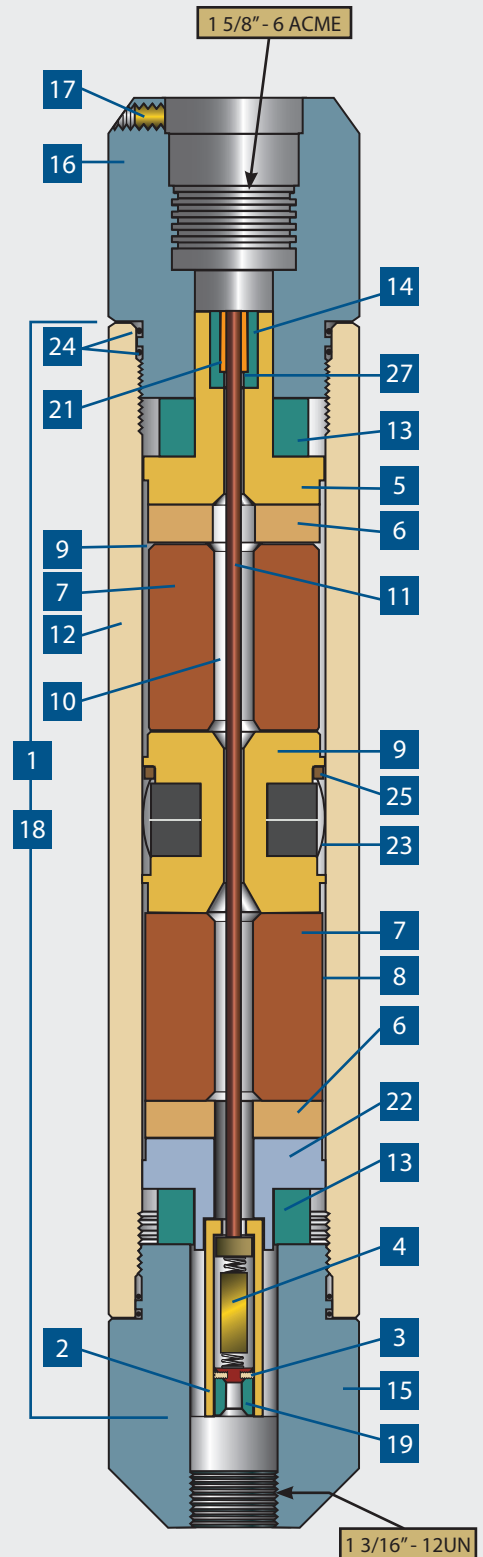
CCL0-10

CASING COLLAR LOCATOR COMPONENTS

3 1/8" - 3 1/4" Casing Collar Locator

Ref.	Part No.	Description	(G) Grounded, (NG) Non-Grounded
1	AS9-0021	3 1/4" CCL Complete Assy (G)	
	AS9-0021-3 1/8	3 1/8" CCL Complete Assy (G)	
2	3.250-0109	CCL End Insulator	
3	HOO-0004	4-40 x 1/8" Pan Hd. Screw	
4	SEM-0069	Double Diode	
5	3.250-0108	CCL Upper Pole Piece	
6	3.250-0158	CCL Magnet Spacer	
7	3.250-0142	CCL Magnet	
8	3.250-0155	Magnet Sleeve	
9	PSA-046	Coil Holder Assy (G)	
10	BOO-0032	Thru Rod Ins. Sleeve	
11	1.375-0479	Thru Rod	
12	3.0045	CCL Housing	
13	3.250-0112	Shock Absorber	
14	1.375-0037	10-32 Contact	
15	3.250-0061	Top Sub	
	3.250-0061-3 1/8	Top Sub	
16	3.250-0060	Bottom Sub	
	3.250-0060-3 1/8	Bottom Sub	
17	HOO-0343	5/16-24 x 3/8" Lg. Set Screw	
18	AS90021-1	3 1/4" CCL Coil & Magnet Assy (G)	
19	1.0172	1" CCL Upper Brass Cont.	
20	1.3750081	10-32 Spacer Contact	
21	3.250-0110	CCL Lower Insulator	
22	3.250-0107	CCL Lower Pole Piece	
23	HOO-0431	Ground Spring	
24	000-0229	O-Rings (4 Required)	
25	HOO-0004	4-40 x 1/4" Pan Hd. Screw	
26	HOO-0333	#10 Ext. Star Washer*	
27	HOO-0076	#10 Int. Star Washer*	

*Please check with AES before ordering. This material has changed and is used only on old style.



APPLIED
ELECTRONIC
SYSTEMS

a **Sondex** company

www.aesla.com

CCL0-11