

CENTRALIZERS SPECIFICATIONS

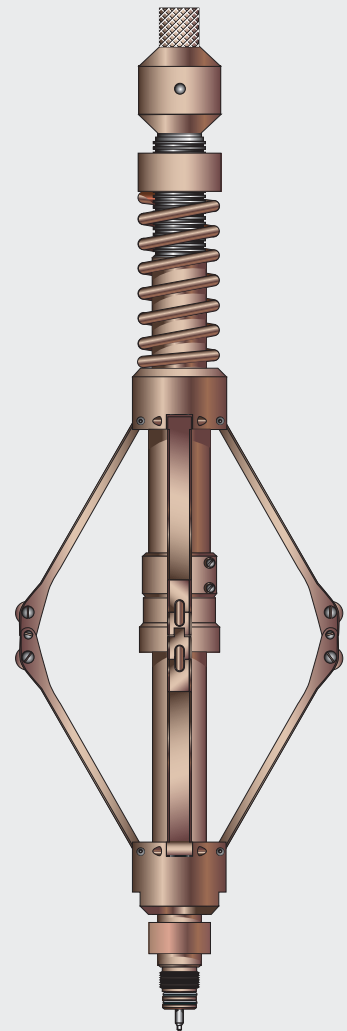


CENTRALIZERS

CENTRALIZERS

AES has a wide range of centralizers

Parameters	Imperial	Metric
OD Size:	1-7/16" – 2-3/4"	36.5 mm - 69.9 mm
Weight:	—	—
Temperature:	500°F	260°C
Pressure:	21,000psi	144 MPa
Type:	Spring and Roller Centralizers	



APPLIED
ELECTRONIC
SYSTEMS

a **Sondex** company

www.aesla.com

CEN0-1

CENTRALIZER PRODUCT RANGES

Part No.	Description	Page
----------	-------------	------

1 7/16"

AS5-0023*	1 7/16" Spring Centralizer	CEN0-3
-----------	----------------------------	--------

1 11/16"

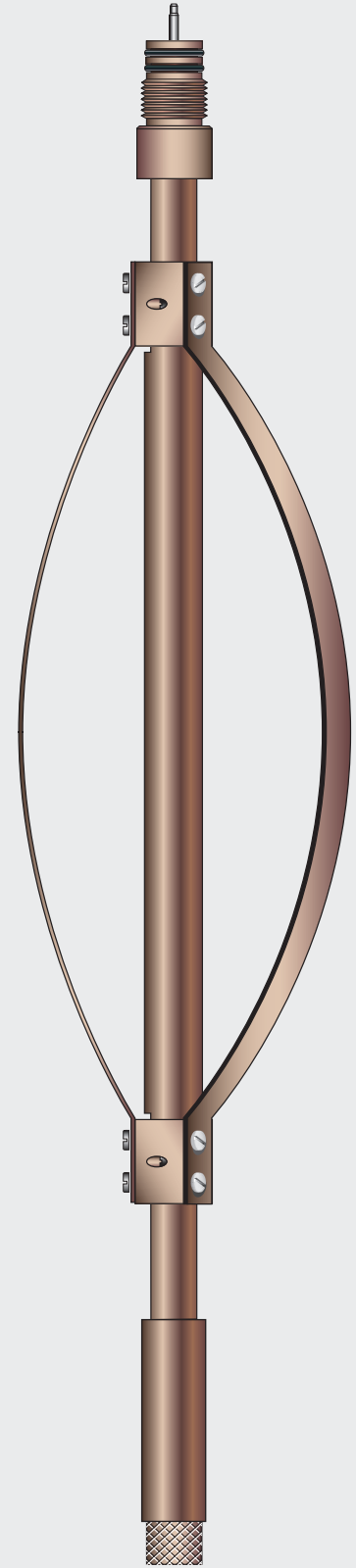
AS6-0066*	1 11/16" Spring Centralizer	CEN0-3
AS6-0091	1 11/16" Roller Centralizer	CEN0-4

2 3/4"

AS9-0050	2 3/4" Spring Centralizer	CEN0-5
AS9-0050RA	2 3/4" Roller Centralizer	CEN0-6

NOTE: Thread size on centralizer range is 1 3/16"-12 UN 2A and 2B.

*Available with 6 1/4", 9 1/2" and 13 1/4" bow springs.



APPLIED
ELECTRONIC
SYSTEMS

a **Sondex** company

www.aesla.com

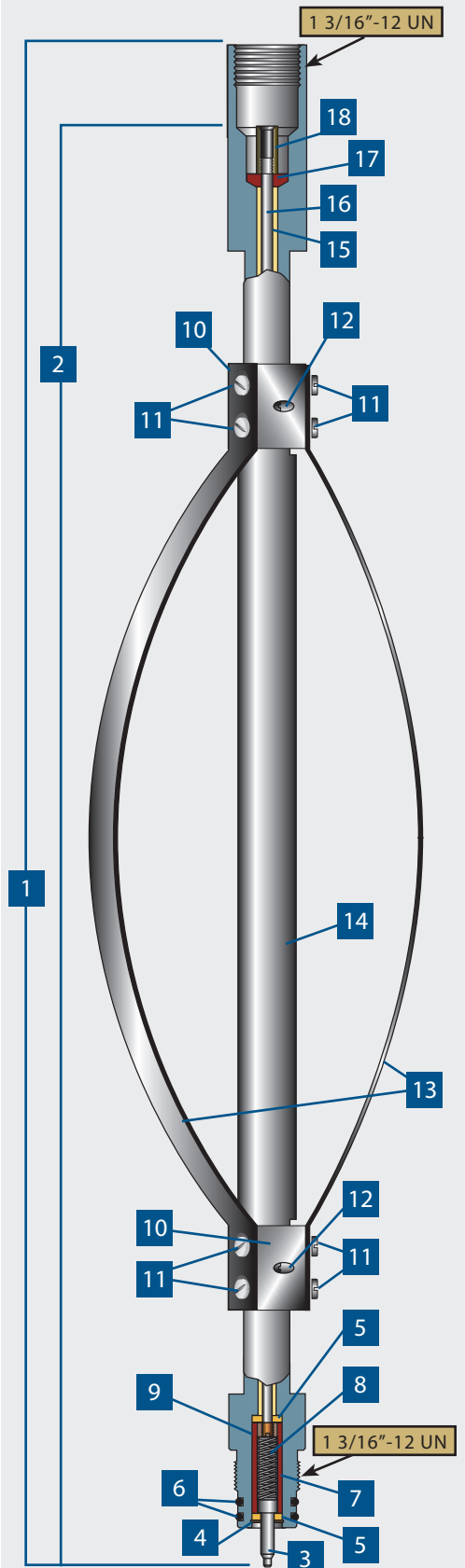
CENTRALIZER COMPONENTS

1 7/16"-1 11/16" Spring Centralizer

Ref.	Part No.	Description
1	AS5-0023	1 7/16" Contact Centralizer Assy
	AS6-0066	1 11/16" Contact Centralizer Assy
2	KIT-5-0023	Complete Kit Assy *
3	1.-0033	Contact Plunger
4	HOO-0065	Retainer Ring
5	1.-0041	Insulating Washer
6	000-0211	O-Rings: 211
7	1.-0042	Contact Insulator
8	1.-0037	Contact Spring
9	1.375-0081	10-32 Spacer Contact
10	1.375-0213	1 7/16" Split Collar (3 sided)
	1.687-0330	1 11/16" Split Collar (6 sided)
11	HOO-0154	8-32 x 1/4" Pan Head Screw
12	HOO-0147	6-32 x 1/4" Socket Head Cap Screw
13	OMF-0006	Bow Spring (13 1/4" Max. Diameter)**
	OMF-0007	Bow Spring (9 1/2" Max. Diameter)**
	OMF-0008	Bow Spring (6 1/4" Max. Diameter)**
14	1.375-0212	1 7/16" Centralizer Mandrel
	1.687-0263	1 11/16" Centralizer Mandrel
15	BOO-0032	Insulating Sleeve
16	1.375-0458	Contact Rod
17	1.-0086	Beveled Insulating Washer
18	1.-0087A	10-32 Contact Receptacle

*Does not include O-Rings.

** (3) Springs required on 1 7/16"; (6) Springs required on 1 11/16"



APPLIED
ELECTRONIC
SYSTEMS

a **Sondex** company

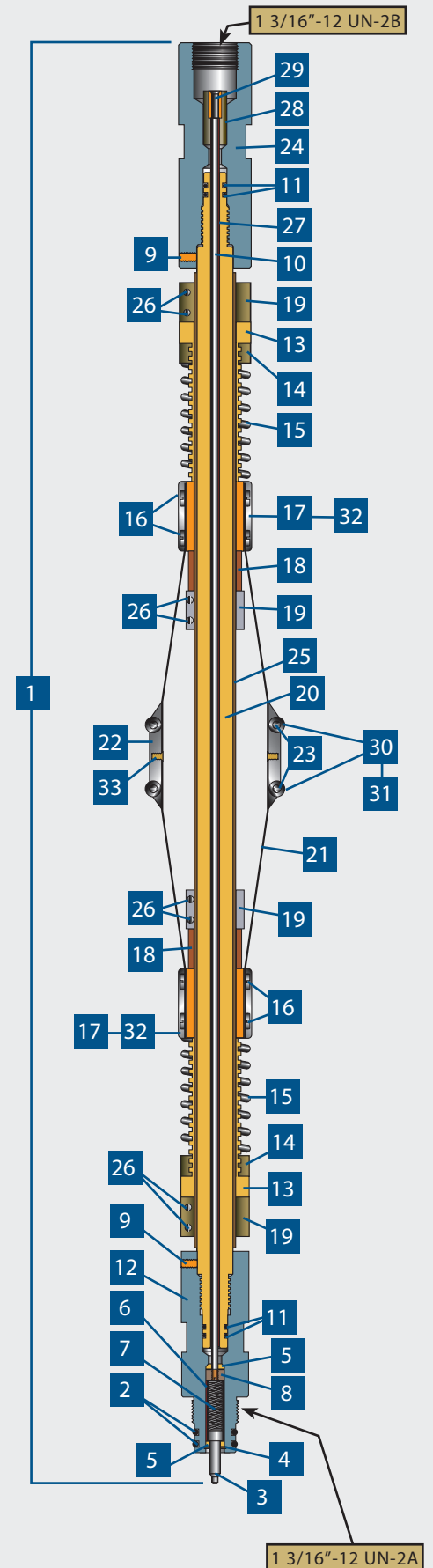
www.aesla.com

CEN0-3

CENTRALIZER COMPONENTS

1 11/16" Roller Centralizer

Ref.	Part No.	Description
1	AS6-0091	1 11/16" Roller Centralizer
2	000-0211	O-Rings: 211
3	1.0033	Contact Plunger
4	HOO-0065	Retainer Ring
5	1.0041	Insulating Washer
6	1.0042	Contact Insulator
7	1.0037	Contact Spring
8	1.375-0081	10-32 Spacer Contact
9	HOO-0113	1/4" - 20 x .375 Set Screw
10	CR10x3400	10-32 x 34 Contact Rod
11	000-0111	O-Rings: 111
12	4942	Upper Mandrel Sub
13	4854	Compression Sleeve
14	4855	Adjustment Nut
15	1.375-0055M	Compression Spring
16	HOO-0048	10-32 x .187 Button Head Screw
17	4859	Slip Collar Spring Mount
18	5022	Spacer Ring
19	4857	Locking Collar
20	4939	Mandrel for Roller Arm Centralizer
21	5021	Wheel Mount Spring
22	4847	Wheel Mount
23	4860	Wheel
24	4941	Bottom Mandrel Sub
25	5015	Sleeve
26	HOO-0148	6-32 x .500 Socket Head Cap Screw
27	BOO-0032	Teflon Insulating Sleeve
28	1.375-0029	Contact Insulator
29	1.375-0173	10-32 Spacer Contact
30	HOO-0040	8-32x 1/8" Set Screw
31	HOO-0499	Axle
32	4859A	Set Screw Guide (Not Shown)
33	H000155	8-32 x 1/4 Flat Head



APPLIED
ELECTRONIC
SYSTEMS

a **Sondex** company

www.aesla.com

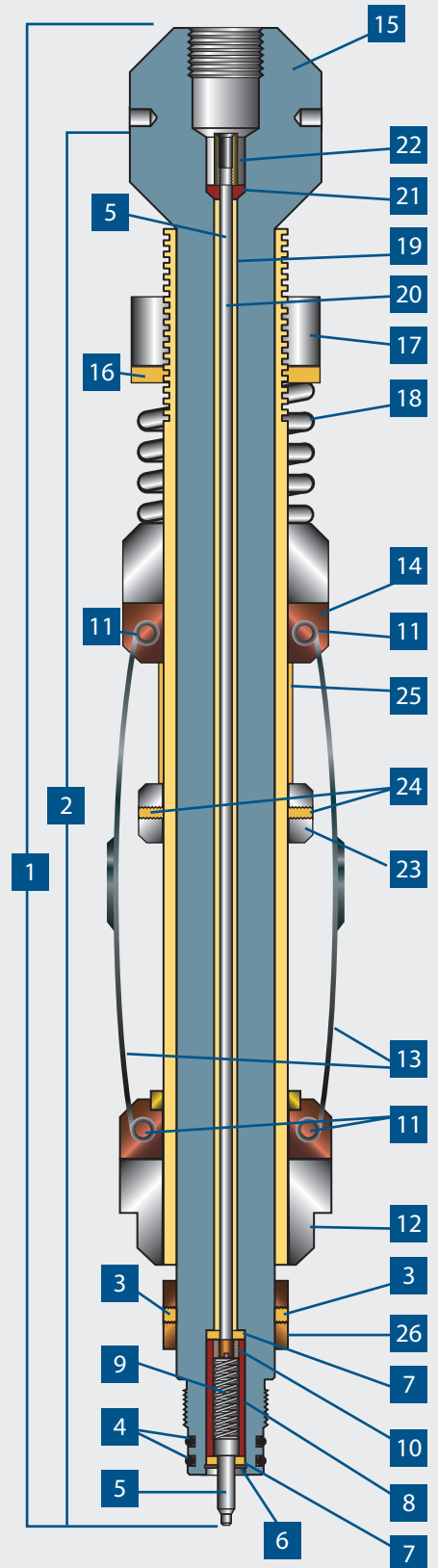
CEN0-4

CENTRALIZER COMPONENTS

2 3/4" Spring Centralizer

Ref.	Part No.	Description
1	AS9-0050	2 3/4" Centralizer Assy
2	KIT-9-0050	Complete Kit Assy *
3	HOO-0305	3/8" Socket Set Screw
4	000-0211	O-Rings: 211
5	1.-0033	Contact Plunger
6	HOO-0065	Retainer Ring
7	1.-0041	Insulating Washer
8	1.-0042	Contact Insulator
9	1.-0037	Contact Spring
10	1.375-0081	Brass Spacer
11	HOO-0432	1 1/4" Spiral Roll Pin
12	3052	Rotating Sleeve
13	OMF-0014	Centralizer Spring
14	3053	Spring Collar
15	2853	Centralizer Mandrel
16	2863	1/4" Spacer
17	2862	Adjustment Nut
18	2845	Compressions Spring
19	BOO-0032	Teflon Sleeve
20	2931	10-32 Contact Rod
21	1.-0086	Beveled Insulator
22	1.-0087A	Brass Contact Receptacle
23	2860	Adjustment Collar
24	HOO-0301	1/4" Socket Set Screw
25	2861	Adjustment Sleeve
26	2864	Locking Ring

*Does not include O-Rings.



APPLIED
ELECTRONIC
SYSTEMS

a **Sondex** company

www.aesla.com

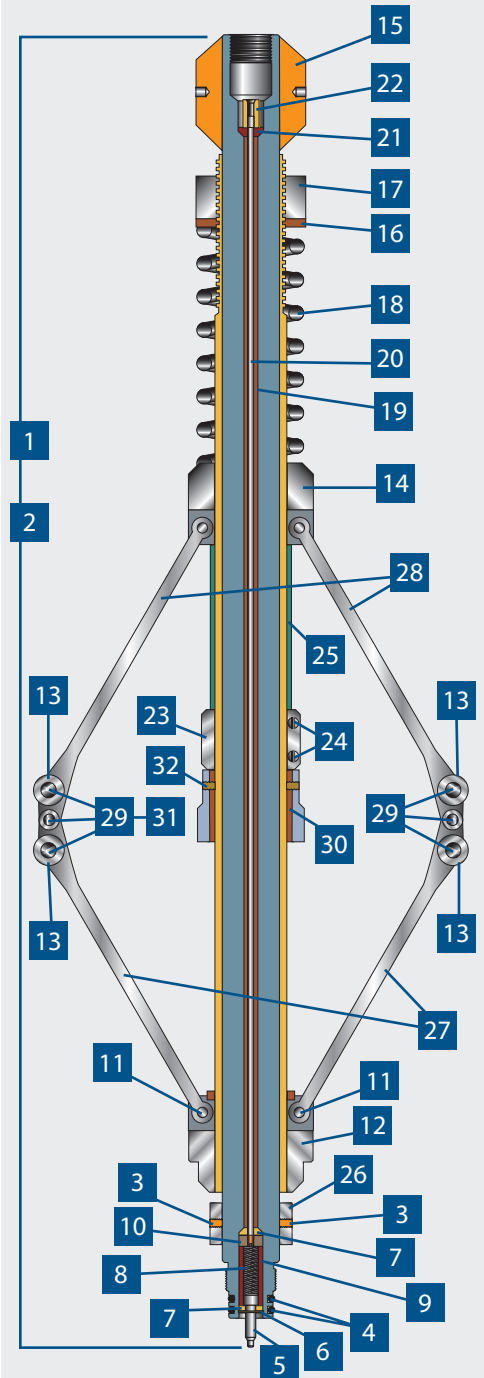
CEN0-5

CENTRALIZER COMPONENTS

2 3/4" Roller Centralizer

Ref.	Part No.	Description
1	AS9-0050RA	1 11/16" Roller Centralizer
2	KIT-9-0050	Complete Kit Assy *
3	HOO-0305	3/8" Socket Set Screw
4	000-0211	O-Rings: 211
5	1.-0033	Contact Plunger
6	HOO-0065	Retainer Ring
7	1.-0041	Insulating Washer
8	1.-0042	Contact Insulator
9	1.-0037	Contact Spring
10	1.375-0081	Brass Spacer
11	HOO-0432	1 1/4" Spiral Roll Pin
12	3052	Rotating Sleeve
13	4624	Roller Centralizer Wheels
14	3053	Spring Collar
15	2853	Centralizer Mandrel
16	2863	1/4" Spacer
17	2862	Adjustment Nut
18	2845-1	Compression Spring
19	BOO-0032	Teflon® Insulating Sleeve
20	2831	10-32 Contact Rod
21	1.-0086	Beveled Insulator
22	1.-0087A	Brass Contact Receptacle
23	2860	Split Collar
24	HOO-0301	1/4" Socket Head Cap Screw
25	2861	Adjustment Sleeve
26	2864	Locking Ring
27	4602-L	Left Centralizer Arm
28	4602-R	Right Centralizer Arm
29	4617-2	Locking Screw/Axle
30	4964	Stopper
31	H000041	Set Screws
32	H000113	Set Screws

*Does not include O-Rings.



APPLIED
ELECTRONIC
SYSTEMS

a **Sondex** company

www.aesla.com

CEN0-6